

Under development

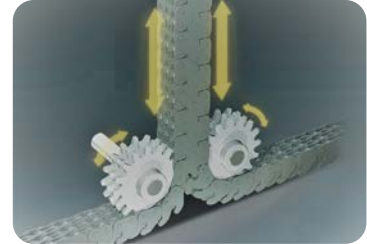
Zip Chain Actuator for Automotive Applications



What is "Zip Chain"?

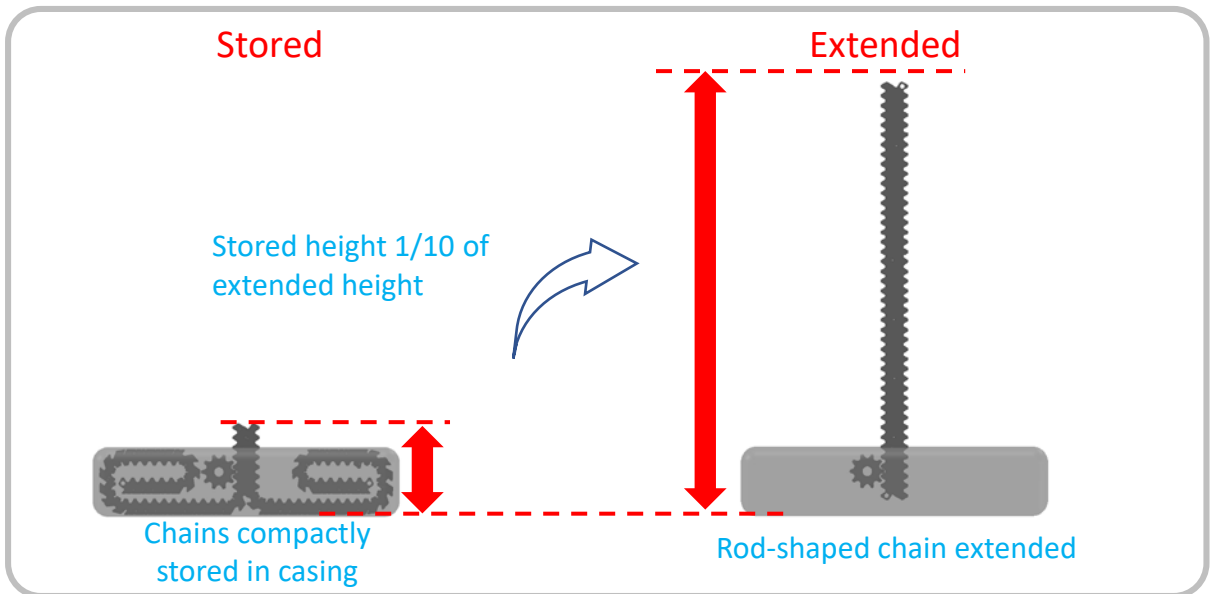
Two strands of chain interlock like a zipper, forming a strong single chain.

Since the chain can be stored in a compact case, it takes up far less space than conventional linear actuators.



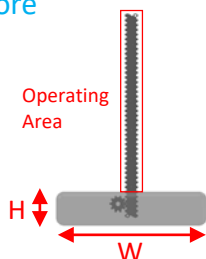
Features

#1 Long stroke, compact storage



#2 Compact

Can be installed in places where it was not possible before



<Comparison with other actuators>

(A: Good, B: Average, C: No good)

	Zip Chain Actuator	Screw Type	Pantograph Type	Wire Type
Unit Size (H)	A	B	A	C
Unit Size (W)	B	A	C	A
Operating Area	A	A	C	A